

1 2 3 4 5 6 7 8 9 0

J

I

H

G

F

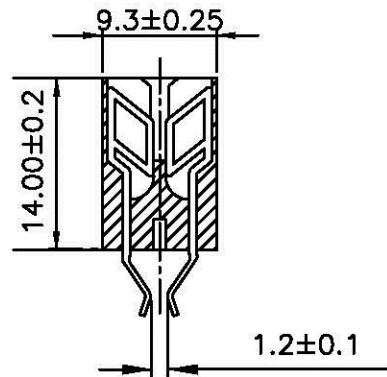
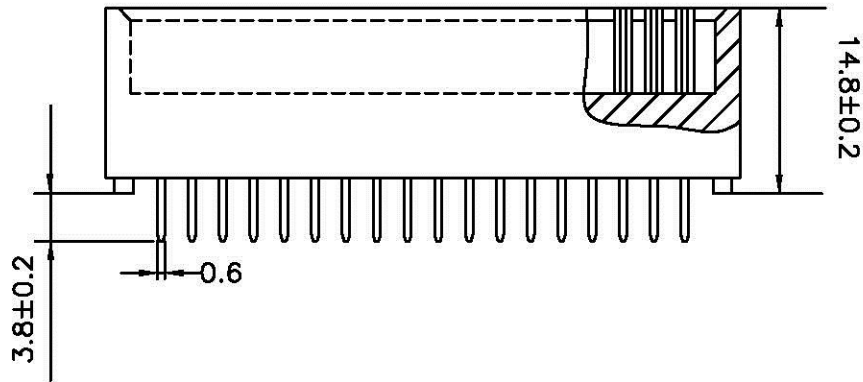
E

D

C

B

A



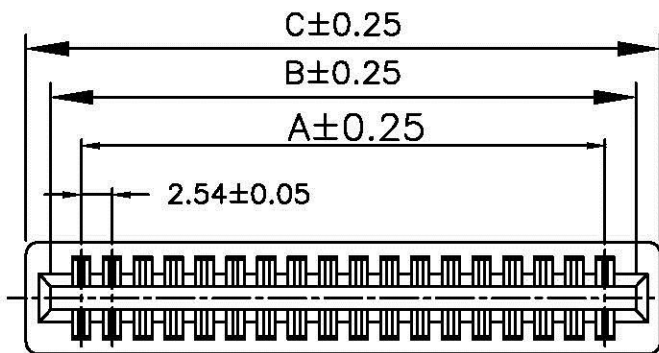
■ MATERIAL

- Insulator: Glass-Fiber P.B.T(UL94V-0)
- Contact: Phosphor Bronze (P) or Brass (B)
- Plating: Gold Plating Over Nickel.

■ SPECIFICATIONS

- Insulation Resistance: 5000 M Ω min at 500 VDC
- Dielectric Withstanding Voltage: 1000 V-AC/1 min
- Current Rating: 3A
- Contact Resistance: 20m Ω max
- Operating Temperature: -55 ℃ to 105 ℃
- Insertion Force: 340g max per pair
- Withdrawal Force: 28g min per pair

■ DIMENSIONS



Circuits	A	B	C	D	Circuits	A	B	C	D
6	5.08	10.66	14.22		48	58.42	64.00	67.56	
8	7.62	13.20	16.76		50	60.96	66.54	70.10	
10	10.16	15.74	19.30		52	63.50	69.08	72.64	
12	12.70	18.28	21.84		54	66.04	71.62	75.18	
14	15.24	20.82	24.38		56	68.58	74.16	77.72	
16	17.78	23.36	26.92		58	71.12	76.70	80.26	
18	20.32	25.90	29.46		60	73.66	79.24	82.80	
20	22.86	28.44	32.00		62	76.20	81.78	85.34	
22	25.40	30.98	34.54		64	78.74	84.32	87.88	
24	27.94	33.52	37.08		66	81.28	86.86	90.42	
26	30.48	36.06	39.62		68	83.82	89.40	92.96	
28	33.02	38.60	42.16		70	86.36	91.94	95.50	
30	35.56	41.14	44.70		72	88.90	94.48	98.04	
32	38.10	43.68	47.24		80	99.06	104.64	108.20	
34	40.64	46.22	49.78		86	106.68	112.26	115.82	
36	43.18	48.76	52.32		92	114.30	119.88	123.44	
38	45.72	51.30	54.86		98	129.54	135.12	138.68	
40	48.26	53.84	57.40		100	124.46	130.04	133.60	
42	50.80	56.38	59.94		104	129.54	135.12	138.68	
44	53.34	58.92	62.48		110	137.16	142.74	146.30	
46	55.88	61.46	65.02		120	149.66	155.44	159.00	

Allconnectors

www.allconnectors.de  
 Tel.: 0049 711 7009503  
 41/54 Hülperstadt - Germany

info@allconnectors.de  
 Fax: 0049 711 7009504  
 kettemerstr. 25

PART NO. GE-E-xxx

DWG NO. GE-E-xxx

FILE NO.

UNIT / mm

SCALE 1:1

APPROVED BY CY

DRAWING BY

PROJECTION

TOLERANCES ARE

.X  
.XX  
.XXX  
AWG

DESCRIP TION:

SLOT 2.54mm PITCH FOR CLIP BOARD

AREA

REVISIONS

HK

DATE